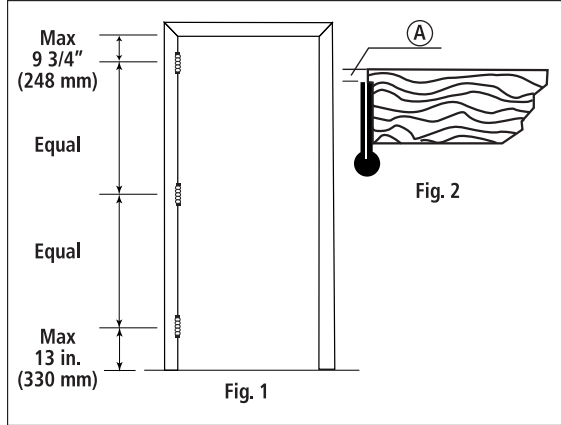




GENERAL INFORMATION

Location of Hinges on Doors



For doors up to 2 1/4 in. (57 mm) thick, hinges are applied 1/4 in. (6 mm) from edge. (A)
 For doors over 2 1/4 in. (57mm) thick, hinges are applied 3/8 in. (10 mm) from edge. (A)

Hinge Maintenance:

For general maintenance of Architectural grade hinges, we recommend that the pins be removed and liberally coated with general purpose grease, then re-inserted and the excess wiped off. Also we highly recommend that all attaching screws be checked for tightness.

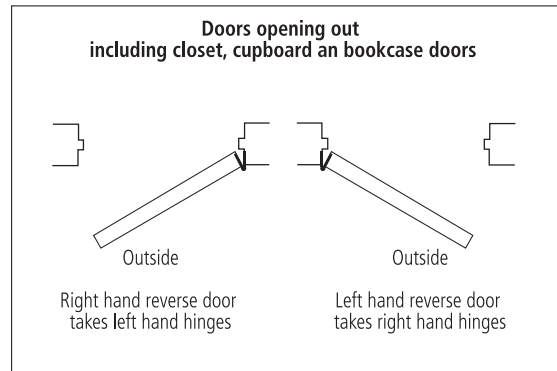
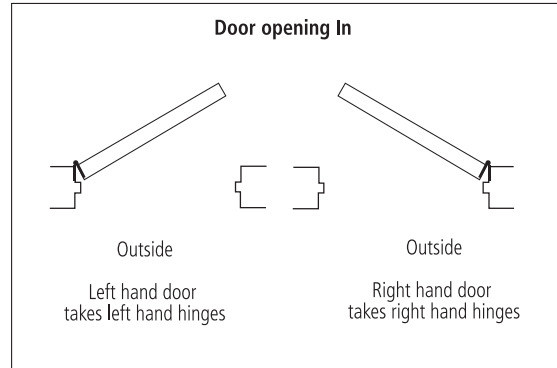
Number of Hinges per Door

The following quantity of hinges are recommended for doors of various sizes:

- 2 hinges: Doors up to 60 in. (1 500 mm) in height:
- 3 hinges: Doors over 60 in. (1 500 mm) but not over 90 in. (2 250 mm) in height:
- 4 hinges: Doors over 90 in. (2 250 mm) but not over 120 in. (3 000 mm) in height:

Note: Doors over 120 in. (3 000 mm) add one hinge for each additional 30 in. (750 mm) or fraction thereof.

How to Determine Hand of Hinges



- The hand of a butt hinge is determined from the outside of the door to which it is applied
- The outside of a cupboard, bookcase or closet door is the room side. For other doors, the outside is usually the "push" or jamb side.
- If standing outside of a door which opens from you: to the right, it takes right hand butt hinges. If to the left, it takes left hand butt hinges.
- If standing outside of a door which opens toward you: to the right, it takes left hand butt hinges. If to the left, it takes right hand butt hinges.
- Reversed bevel doors are doors opening out.

In ordering butt hinges that are not reversible, the hand must always be specified